



RK.SECURITY SOLUTION

Retractable Flap Barrier Model RKSS-F2: Our Flap Barriers is a motorized electro mechanical drive system. In this model sensing is achieved by an array of optical beam sensors. It provide user friendly, rapid access control to restricted areas at metro railways, office complexes, factories, banks, amusement parks and stadiums, Call centers, BPO's, and IT Parks, These barriers can be integrated either with card access systems or ticketing systems to ensure quick and automatic clearance while keeping accurate/Entry and entrance record.

Features:

- Motorized electro mechanical drive system
- Opening time less than 0.8 Seconds
- Passage width 550 (+50)mm.
- Detection of tail gating (Optional)
- Micro Process Controller based control Unit
- Sensing is achieved by an array of optical beam sensors
- Cabinet is available in Mild Steel powder coated or Stainless Steel with LED Acrylic Flap
- Available with Line Indicator for go Green Arrow & for Stop Red Cross
- Handicapped or two wheeler movement (optional)
- Lane Indicator for Entry/Noentry.
- LCD alfa numerical display for In/Out Count.(inbuilt)
- C E approved.
- Integration any readers/panels available in the markets.



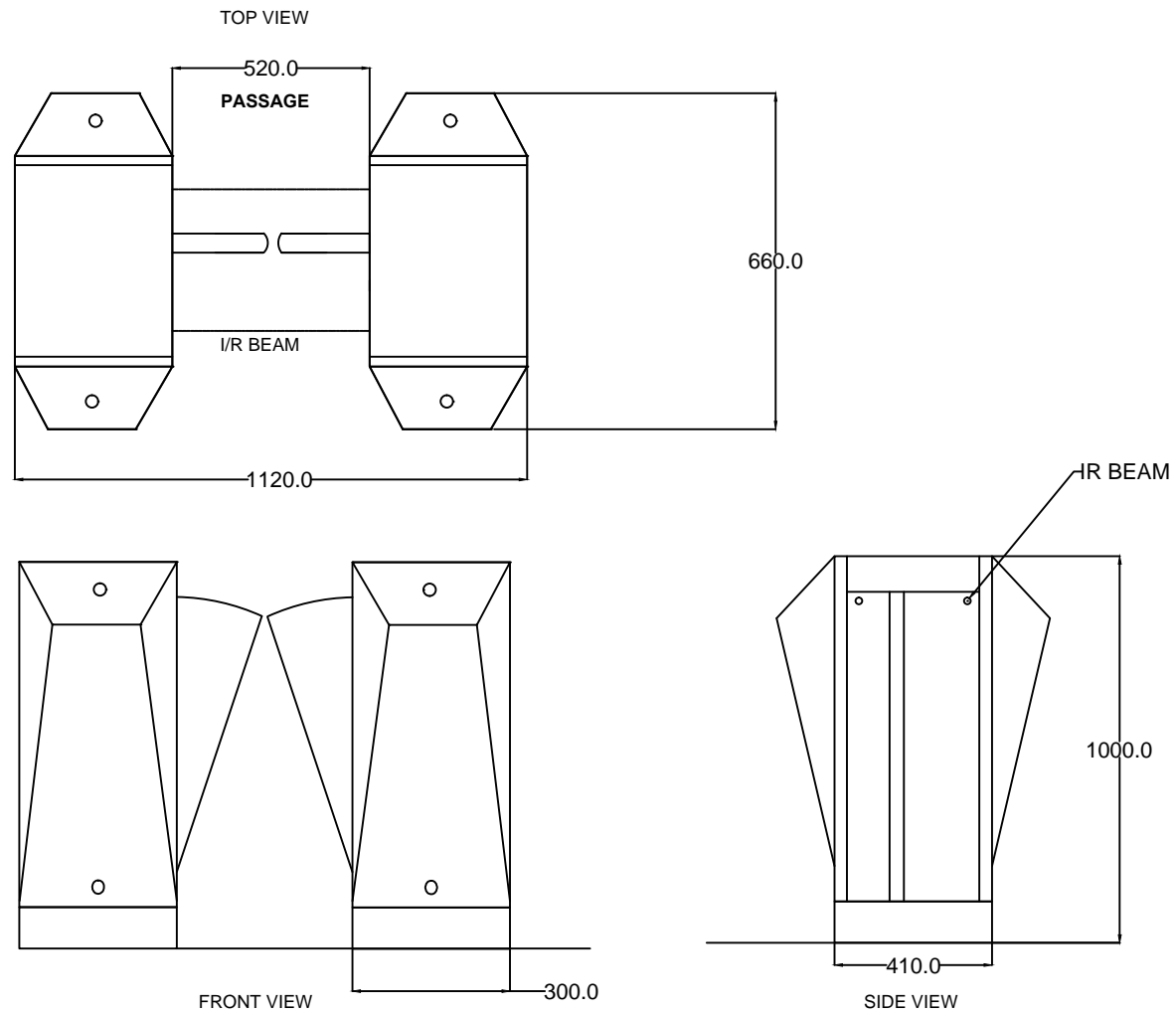
Technical Features:

- 1. Over all dimensions: L650xH1020xW300 mm
- 2. Sheet Thickness MS/SS 304: SWG 16
- 3. Flap Thickness: 19.5mm
- 4. Protection I.P: 44
- 5. Voltage VAC : 230
- 6. Current mA (max): 450
- 7. Power consumption: Watts 100max
- 8. Frequency Hz: 50
- 9. Duty Cycle % : 100%
- 10. Opening/Closing time Sec: within less than 1sec.
- 11. Throughput 30-40 persons per minute.



DO NOT SCALE FROM DWG.

FLAP BARRIER (SINGLE LANE)



DESIGN ARE SUBJECT TO CHANGE WITHOUT PRIOR INTIMATION
BREAK ALL SHARP EDGES/CORNERS

DIMENSIONS IN mm		FLAP BARRIER				
Client:- -						
Material: SS-304/MS	Finish:-	Prep: RAJ KAMAL	Ckd:	Scale	Qty.	A4
Harding:	Tol. UP TO 100 +/- 0.2 ABOVE 100 +/- 0.4	Date:	Date:	1:1		00